

Internet Engineering Task Force (IETF)
Request for Comments: 6173
Obsoletes: 4369
Category: Standards Track
ISSN: 2070-1721

P. Venkatesen, Ed.
HCL Technologies
March 2011

Definitions of Managed Objects
for the Internet Fibre Channel Protocol (iFCP)

Abstract

This document defines Management Information Base (MIB) objects to monitor and control the Internet Fibre Channel Protocol (iFCP) gateway instances and their associated sessions, for use with network management protocols.

This document obsoletes RFC 4369.

Status of This Memo

This is an Internet Standards Track document.

This document is a product of the Internet Engineering Task Force (IETF). It represents the consensus of the IETF community. It has received public review and has been approved for publication by the Internet Engineering Steering Group (IESG). Further information on Internet Standards is available in Section 2 of RFC 5741.

Information about the current status of this document, any errata, and how to provide feedback on it may be obtained at <http://www.rfc-editor.org/info/rfc6173>.

Copyright Notice

Copyright (c) 2011 IETF Trust and the persons identified as the document authors. All rights reserved.

This document is subject to BCP 78 and the IETF Trust's Legal Provisions Relating to IETF Documents (<http://trustee.ietf.org/license-info>) in effect on the date of publication of this document. Please review these documents carefully, as they describe your rights and restrictions with respect to this document. Code Components extracted from this document must include Simplified BSD License text as described in Section 4.e of the Trust Legal Provisions and are provided without warranty as described in the Simplified BSD License.

This document may contain material from IETF Documents or IETF Contributions published or made publicly available before November 10, 2008. The person(s) controlling the copyright in some of this material may not have granted the IETF Trust the right to allow modifications of such material outside the IETF Standards Process. Without obtaining an adequate license from the person(s) controlling the copyright in such materials, this document may not be modified outside the IETF Standards Process, and derivative works of it may not be created outside the IETF Standards Process, except to format it for publication as an RFC or to translate it into languages other than English.

Table of Contents

- 1. The Internet-Standard Management Framework.....2
- 2. Introduction.....3
- 3. Technical Description.....4
- 4. Differences from RFC 4369.....4
- 5. MIB Definition.....5
- 6. Security Considerations.....28
- 7. IANA Considerations.....29
- 8. References.....29
 - 8.1. Normative References.....29
 - 8.2. Informative References.....30
- 9. Acknowledgments.....31

1. The Internet-Standard Management Framework

For a detailed overview of the documents that describe the current Internet-Standard Management Framework, please refer to section 7 of RFC 3410 [RFC3410].

Managed objects are accessed via a virtual information store, termed the Management Information Base or MIB. MIB objects are generally accessed through the Simple Network Management Protocol (SNMP). Objects in the MIB are defined using the mechanisms defined in the Structure of Management Information (SMI). This memo specifies a MIB module that is compliant to the SMIV2, which is described in STD 58, RFC 2578 [RFC2578], STD 58, RFC 2579 [RFC2579] and STD 58, RFC 2580 [RFC2580].

The key words "MUST", "MUST NOT", "REQUIRED", "SHALL", "SHALL NOT", "SHOULD", "SHOULD NOT", "RECOMMENDED", "MAY", and "OPTIONAL" in this document are to be interpreted as described in [RFC2119].

2. Introduction

iFCP (RFC 4172 [RFC4172]) provides Fibre Channel fabric functionality on an IP network in which TCP/IP switching and routing elements replace Fibre Channel components. iFCP is used between iFCP gateways. This protocol can be used by FC-to-IP-based storage gateways for Fibre Channel Protocol (FCP) storage interconnects.

Figure 1 provides an example of an interconnect between iFCP gateways.

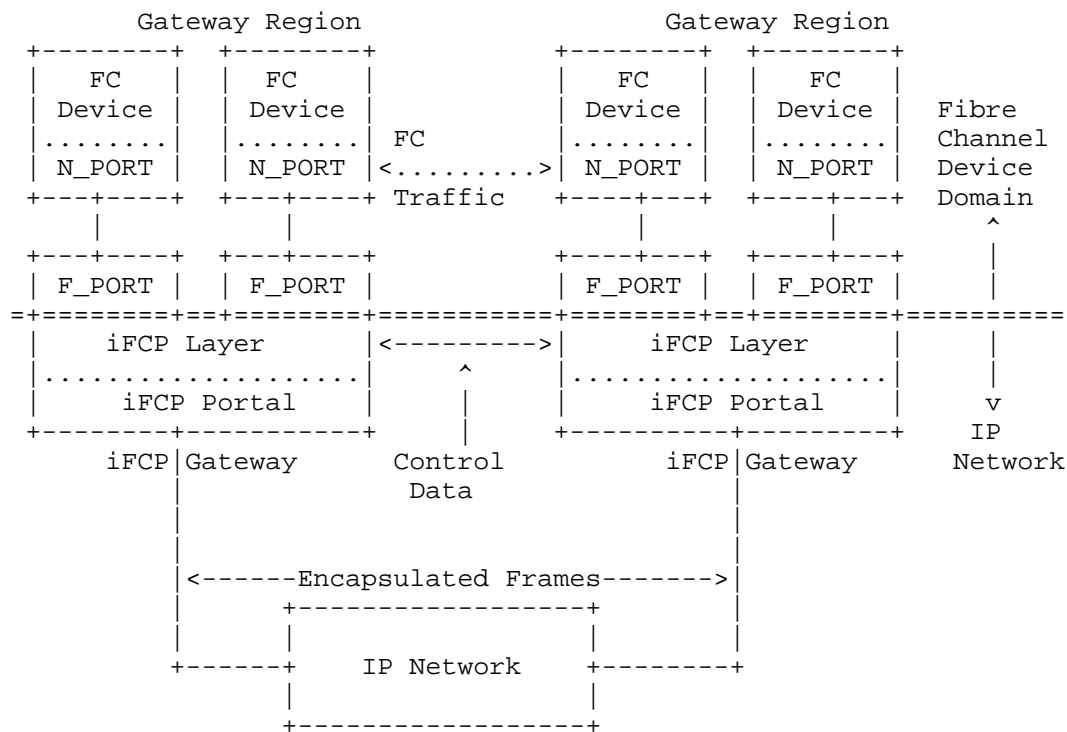


Figure 1: Interconnect between iFCP Gateways

The iFCP MIB module is designed to allow a network management protocol such as SNMP to be used to monitor and manage local iFCP gateway instances, including the configuration of iFCP sessions between gateways.

3. Technical Description

The iFCP MIB module is divided into sections for iFCP local gateway instance management, iFCP session management, and iFCP session statistics.

The section for iFCP gateway management provides default settings and information about each local instance. A single management entity can monitor multiple local gateway instances. Each local gateway is conceptually an independent gateway that has both Fibre Channel and IP interfaces. The default IP Time Out Value (IP_TOV) is configurable for each gateway. Other standard MIBs, such as the Fibre Management MIB [RFC4044] or Interfaces Group MIB [RFC2863], can be used to manage non-iFCP-specific gateway parameters. The local gateway instance section provides iFCP-specific information as well as optional links to other standard management MIBs.

The iFCP session management section provides information on iFCP sessions that use one of the local iFCP gateway instances. This section allows the management of specific iFCP parameters, including changing the IP_TOV from the default setting of the gateway.

The iFCP session statistics section provides statistical information on the iFCP sessions that use one of the local iFCP gateways. These tables augment the session management table. Additional statistical information for an iFCP gateway or session, that is not iFCP-specific, can be obtained using other standard MIBs. The iFCP statistics are provided in both high-capacity (Counter64) and low-capacity (Counter32) methods.

The following MIB module imports from SNMPv2-SMI [RFC2578], SNMPv2-TC [RFC2579], SNMPv2-CONF [RFC2580], HCNUM-TC [RFC2856], IF-MIB [RFC2863], SNMP-FRAMEWORK-MIB [RFC3411], INET-ADDRESS-MIB [RFC4001], FC-MGMT-MIB [RFC4044], ENTITY-MIB (v3) [RFC4133], and RMON2-MIB [RFC4502].

4. Differences from RFC 4369

As explained in [RFC6172], the iFCP address translation mode is deprecated. This document obsoletes the iFCP MIB module [RFC4369] for this change.

5. MIB Definition

```
IFCP-MGMT-MIB DEFINITIONS ::= BEGIN
```

```
IMPORTS
```

```
    MODULE-IDENTITY,  
    OBJECT-TYPE,  
    Gauge32,  
    Integer32,  
    Unsigned32,  
    transmission  
        FROM SNMPv2-SMI
```

```
    OBJECT-GROUP,  
    MODULE-COMPLIANCE  
        FROM SNMPv2-CONF
```

```
    TEXTUAL-CONVENTION,  
    TimeStamp,  
    TruthValue,  
    StorageType  
        FROM SNMPv2-TC
```

```
-- From RFC 4502  
    ZeroBasedCounter32  
        FROM RMON2-MIB
```

```
-- From RFC 2856  
    ZeroBasedCounter64  
        FROM HCNM-TC
```

```
-- From RFC 2863  
    InterfaceIndexOrZero  
        FROM IF-MIB
```

```
-- From RFC 3411  
    SnmpAdminString  
        FROM SNMP-FRAMEWORK-MIB
```

```
-- From RFC 4001  
    InetAddressType,  
    InetAddress,  
    InetPortNumber  
        FROM INET-ADDRESS-MIB
```

```
-- From RFC 4044
FcNameIdOrZero,
FcAddressIdOrZero
    FROM FC-MGMT-MIB

-- From RFC 4133
PhysicalIndexOrZero
    FROM ENTITY-MIB
;

ifcpMgmtMIB    MODULE-IDENTITY
LAST-UPDATED "201103090000Z"
ORGANIZATION "IETF STORage Maintenance (STORM) Working Group"
CONTACT-INFO "
    Working Group Email : storm@ietf.org
    Attn: Prakash Venkatesen
    HCL Technologies
    Email: prakashvn@hcl.com"

DESCRIPTION
    "This module defines management information specific
    to Internet Fibre Channel Protocol (iFCP) gateway
    management.

    Copyright (c) 2011 IETF Trust and the persons
    identified as authors of the code. All rights
    reserved.

    Redistribution and use in source and binary forms,
    with or without modification, is permitted pursuant
    to, and subject to the license terms contained in, the
    Simplified BSD License set forth in Section 4.c of the
    IETF Trust's Legal Provisions Relating to IETF
    Documents (http://trustee.ietf.org/license-info)."
REVISION      "201103090000Z"
DESCRIPTION
    "Second version of iFCP Management Module.  The iFCP
    address translation mode is deprecated.
    This MIB module published as RFC 6173."
REVISION      "200601170000Z"
DESCRIPTION
    "Initial version of iFCP Management Module.
    This MIB module published as RFC 4369."
 ::= { transmission 230 }

--
-- Textual Conventions
--
```

```

IfcpIpTOVorZero ::= TEXTUAL-CONVENTION
  DISPLAY-HINT  "d"
  STATUS        current
  DESCRIPTION   "The maximum propagation delay, in seconds,
                for an encapsulated FC frame to traverse the
                IP network.  A value of 0 implies fibre
                channel frame lifetime limits will not be
                enforced."
  REFERENCE    "RFC 4172, iFCP Protocol Specification"
  SYNTAX       Unsigned32 (0..3600)

IfcpLTIorZero ::= TEXTUAL-CONVENTION
  DISPLAY-HINT  "d"
  STATUS        current
  DESCRIPTION   "The value for the Liveness Test Interval
                (LTI) being used in an iFCP connection, in
                seconds.  A value of 0 implies no Liveness
                Test Interval will be used."
  REFERENCE    "RFC 4172, iFCP Protocol Specification"
  SYNTAX       Unsigned32 (0..65535)

IfcpSessionStates ::= TEXTUAL-CONVENTION
  STATUS        current
  DESCRIPTION   "The value for an iFCP session state."
  SYNTAX       INTEGER {down(1), openPending(2), open(3)}

IfcpAddressMode ::= TEXTUAL-CONVENTION
  STATUS        current
  DESCRIPTION   "The values for iFCP Address Translation
                Mode."
  REFERENCE    "RFC 6172, Deprecation of iFCP Address
                Translation Mode"
  SYNTAX       INTEGER {addressTransparent(1),
                        addressTranslation(2)}

--
-- Internet Fibre Channel Protocol (iFCP)
--

ifcpGatewayObjects      OBJECT IDENTIFIER ::= {ifcpMgmtMIB 1}
ifcpGatewayConformance OBJECT IDENTIFIER ::= {ifcpMgmtMIB 2}

--
-- Local iFCP Gateway Instance Information =====
--

```

ifcpLclGatewayInfo OBJECT IDENTIFIER ::= {ifcpGatewayObjects 1}

ifcpLclGtwyInstTable OBJECT-TYPE
 SYNTAX SEQUENCE OF IfcpLclGtwyInstEntry
 MAX-ACCESS not-accessible
 STATUS current
 DESCRIPTION

"Information about all local iFCP gateway instances that can be monitored and controlled. This table contains an entry for each local iFCP gateway instance that is being managed."
 ::= {ifcpLclGatewayInfo 1}

ifcpLclGtwyInstEntry OBJECT-TYPE
 SYNTAX IfcpLclGtwyInstEntry
 MAX-ACCESS not-accessible
 STATUS current
 DESCRIPTION

"An entry in the local iFCP gateway instance table. Parameters and settings for the gateway are found here."
 INDEX { ifcpLclGtwyInstIndex }
 ::= {ifcpLclGtwyInstTable 1}

IfcpLclGtwyInstEntry ::= SEQUENCE {
 ifcpLclGtwyInstIndex Unsigned32,
 ifcpLclGtwyInstPhyIndex PhysicalIndexOrZero,
 ifcpLclGtwyInstVersionMin Unsigned32,
 ifcpLclGtwyInstVersionMax Unsigned32,
 ifcpLclGtwyInstAddrTransMode IfcpAddressMode,
 ifcpLclGtwyInstFcBrdcstSupport TruthValue,
 ifcpLclGtwyInstDefaultIpTOV IfcpIpTOVorZero,
 ifcpLclGtwyInstDefaultLTInterval IfcpLTIORZero,
 ifcpLclGtwyInstDescr SnmpAdminString,
 ifcpLclGtwyInstNumActiveSessions Gauge32,
 ifcpLclGtwyInstStorageType StorageType
 }

ifcpLclGtwyInstIndex OBJECT-TYPE
 SYNTAX Unsigned32 (1..2147483647)
 MAX-ACCESS not-accessible
 STATUS current
 DESCRIPTION

"An arbitrary integer value to uniquely identify this iFCP gateway from other local gateway instances."
 ::= {ifcpLclGtwyInstEntry 1}


```

ifcpLclGtwyInstPhyIndex OBJECT-TYPE
    SYNTAX          PhysicalIndexOrZero
    MAX-ACCESS      read-only
    STATUS          current
    DESCRIPTION
    "An index indicating the location of this local gateway within
    a larger entity, if one exists.  If supported, this is the
    entPhysicalIndex from the Entity MIB (Version 3), for this
    iFCP gateway.  If not supported, or if not related to a
    physical entity, then the value of this object is 0."
    REFERENCE       "Entity MIB (Version 3)"
    ::= { ifcpLclGtwyInstEntry      2}

ifcpLclGtwyInstVersionMin OBJECT-TYPE
    SYNTAX          Unsigned32 (0..255)
    MAX-ACCESS      read-only
    STATUS          current
    DESCRIPTION
    "The minimum iFCP protocol version supported by the local iFCP
    gateway instance."
    REFERENCE       "RFC 4172, iFCP Protocol Specification"
    ::= { ifcpLclGtwyInstEntry      3}

ifcpLclGtwyInstVersionMax OBJECT-TYPE
    SYNTAX          Unsigned32 (0..255)
    MAX-ACCESS      read-only
    STATUS          current
    DESCRIPTION
    "The maximum iFCP protocol version supported by the local iFCP
    gateway instance."
    REFERENCE       "RFC 4172, iFCP Protocol Specification"
    ::= { ifcpLclGtwyInstEntry      4}

ifcpLclGtwyInstAddrTransMode OBJECT-TYPE
    SYNTAX          IfcpAddressMode
    MAX-ACCESS      read-write
    STATUS          current
    DESCRIPTION
    "The local iFCP gateway operating mode.  Changing this value
    may cause existing sessions to be disrupted."
    REFERENCE       "RFC 4172, iFCP Protocol Specification;
                    RFC 6172, Deprecation of iFCP Address
                    Translation Mode"
    DEFVAL          { addressTransparent }
    ::= { ifcpLclGtwyInstEntry      5}

```

```

ifcpLclGtwyInstFcBrdcstSupport OBJECT-TYPE
    SYNTAX          TruthValue
    MAX-ACCESS      read-write
    STATUS          current
    DESCRIPTION
    "This value indicates whether the local iFCP gateway supports
    FC Broadcast. Changing this value may cause existing sessions
    to be disrupted."
    REFERENCE       "RFC 4172, iFCP Protocol Specification"
    DEFVAL          { false }
    ::= { ifcpLclGtwyInstEntry      6 }

ifcpLclGtwyInstDefaultIpTOV OBJECT-TYPE
    SYNTAX          IfcpIpTOVorZero
    UNITS           "seconds"
    MAX-ACCESS      read-write
    STATUS          current
    DESCRIPTION
    "The default IP_TOV used for iFCP sessions at this gateway.
    This is the default maximum propagation delay that will be
    used for an iFCP session. The value can be changed on a
    per-session basis. The valid range is 0 - 3600 seconds.
    A value of 0 implies that fibre channel frame lifetime limits
    will not be enforced."
    REFERENCE       "RFC 4172, iFCP Protocol Specification"
    DEFVAL          { 6 }
    ::= { ifcpLclGtwyInstEntry      7 }

ifcpLclGtwyInstDefaultLTInterval OBJECT-TYPE
    SYNTAX          IfcpLTIorZero
    UNITS           "seconds"
    MAX-ACCESS      read-write
    STATUS          current
    DESCRIPTION
    "The default Liveness Test Interval (LTI), in seconds, used
    for iFCP sessions at this gateway. This is the default
    value for an iFCP session and can be changed on a
    per-session basis. The valid range is 0 - 65535 seconds.
    A value of 0 implies no Liveness Test Interval will be
    performed on a session."
    REFERENCE       "RFC 4172, iFCP Protocol Specification"
    DEFVAL          { 10 }
    ::= { ifcpLclGtwyInstEntry      8 }

```

```

ifcpLclGtwyInstDescr OBJECT-TYPE
    SYNTAX          SnmpAdminString (SIZE (0..64))
    MAX-ACCESS      read-write
    STATUS           current
    DESCRIPTION
        "A user-entered description for this iFCP gateway."
    DEFVAL          { "" }
    ::= {ifcpLclGtwyInstEntry      9}

ifcpLclGtwyInstNumActiveSessions OBJECT-TYPE
    SYNTAX          Gauge32 (0..4294967295)
    MAX-ACCESS      read-only
    STATUS           current
    DESCRIPTION
        "The current total number of iFCP sessions in the open or
        open-pending state."
    ::= {ifcpLclGtwyInstEntry      10}

ifcpLclGtwyInstStorageType OBJECT-TYPE
    SYNTAX          StorageType
    MAX-ACCESS      read-only
    STATUS           current
    DESCRIPTION
        "The storage type for this row.  Parameter values defined
        for a gateway are usually non-volatile, but may be volatile
        or permanent in some configurations.  If permanent, then
        the following parameters must have read-write access:
        ifcpLclGtwyInstAddrTransMode, ifcpLclGtwyInstDefaultIpTOV,
        and ifcpLclGtwyInstDefaultLTInterval."
    DEFVAL          { nonVolatile }
    ::= {ifcpLclGtwyInstEntry      11}

--
-- iFCP N Port Session Information =====
--

ifcpNportSessionInfo
    OBJECT IDENTIFIER ::= {ifcpGatewayObjects 2}

ifcpSessionAttributesTable OBJECT-TYPE
    SYNTAX          SEQUENCE OF
                    IfcpSessionAttributesEntry
    MAX-ACCESS      not-accessible
    STATUS           current
    DESCRIPTION
        "An iFCP session consists of the pair of N_PORTS comprising
        the session endpoints joined by a single TCP/IP connection.
        This table provides information on each iFCP session"

```

currently using a local iFCP gateway instance. iFCP sessions are created and removed by the iFCP gateway instances, which are reflected in this table."

```
 ::= {ifcpNportSessionInfo 1}
```

ifcpSessionAttributesEntry OBJECT-TYPE

```
SYNTAX                IfcpSessionAttributesEntry
MAX-ACCESS             not-accessible
STATUS                 current
DESCRIPTION
```

"Each entry contains information about one iFCP session consisting of a pair of N_PORTS joined by a single TCP/IP connection. This table's INDEX includes ifcpLclGtwyInstIndex, which identifies the local iFCP gateway instance that created the session for the entry.

Soon after an entry is created in this table for an iFCP session, it will correspond to an entry in the tcpConnectionTable of the TCP-MIB (RFC 4022). The corresponding entry might represent a preexisting TCP connection, or it might be a newly created entry. (Note that if IPv4 is being used, an entry in RFC 2012's tcpConnTable may also correspond.) The values of ifcpSessionLclPrtlAddrType and ifcpSessionRmtPrtlIfAddrType in this table and the values of tcpConnectionLocalAddressType and tcpConnectionRemAddressType used as INDEX values for the corresponding entry in the tcpConnectionTable should be the same; this makes it simpler to locate a session's TCP connection in the TCP-MIB. (Of course, all four values need to be 'ipv4' if there's a corresponding entry in the tcpConnTable.)

If an entry is created in this table for a session, prior to knowing which local and/or remote port numbers will be used for the TCP connection, then ifcpSessionLclPrtlTcpPort and/or ifcpSessionRmtPrtlTcpPort have the value zero until such time as they can be updated to the port numbers (to be) used for the connection. (Thus, a port value of zero should not be used to locate a session's TCP connection in the TCP-MIB.)

When the TCP connection terminates, the entry in the tcpConnectionTable and the entry in this table both get deleted (and, if applicable, so does the entry in the tcpConnTable)."

```
INDEX { ifcpLclGtwyInstIndex, ifcpSessionIndex }
 ::= {ifcpSessionAttributesTable 1}
```

```
IfcpSessionAttributesEntry ::= SEQUENCE {
    ifcpSessionIndex          Integer32,
    ifcpSessionLclPrtlIfIndex InterfaceIndexOrZero,
    ifcpSessionLclPrtlAddrType InetAddressType,
```

```

ifcpSessionLclPrtlAddr      InetAddress,
ifcpSessionLclPrtlTcpPort  InetPortNumber,
ifcpSessionLclNpWwun       FcNameIdOrZero,
ifcpSessionLclNpFcid       FcAddressIdOrZero,
ifcpSessionRmtNpWwun       FcNameIdOrZero,
ifcpSessionRmtPrtlIfAddrType InetAddressType,
ifcpSessionRmtPrtlIfAddr   InetAddress,
ifcpSessionRmtPrtlTcpPort  InetPortNumber,
ifcpSessionRmtNpFcid       FcAddressIdOrZero,
ifcpSessionRmtNpFcidAlias  FcAddressIdOrZero,
ifcpSessionIpTOV           IfcpIpTOVorZero,
ifcpSessionLclLTIntvl      IfcpLTIORZero,
ifcpSessionRmtLTIntvl      IfcpLTIORZero,
ifcpSessionBound           TruthValue,
ifcpSessionStorageType     StorageType
                             }

```

ifcpSessionIndex OBJECT-TYPE
SYNTAX Integer32 (1..2147483647)
MAX-ACCESS not-accessible
STATUS current
DESCRIPTION
"The iFCP session index is a unique value used as an index to the table, along with a specific local iFCP gateway instance. This index is used because the local N Port and remote N Port information would create a complex index that would be difficult to implement."
::= {ifcpSessionAttributesEntry 1}

ifcpSessionLclPrtlIfIndex OBJECT-TYPE
SYNTAX InterfaceIndexOrZero
MAX-ACCESS read-only
STATUS current
DESCRIPTION
"This is the interface index in the IF-MIB ifTable being used as the local portal in this session, as described in the IF-MIB. If the local portal is not associated with an entry in the ifTable, then the value is 0. The ifType of the interface will generally be a type that supports IP, but an implementation may support iFCP using other protocols. This object can be used to obtain additional information about the interface."
REFERENCE "RFC 2863, The Interfaces Group MIB (IF-MIB)"
::= {ifcpSessionAttributesEntry 2}

ifcpSessionLclPrtlAddrType OBJECT-TYPE
SYNTAX InetAddressType
MAX-ACCESS read-only

```

STATUS          current
DESCRIPTION
"The type of address in ifcpSessionLclIfAddr."
 ::= {ifcpSessionAttributesEntry 3}

ifcpSessionLclPrtlAddr          OBJECT-TYPE
SYNTAX          InetAddress
MAX-ACCESS      read-only
STATUS          current
DESCRIPTION
"This is the external IP address of the interface being used
for the iFCP local portal in this session.  The address type
is defined in ifcpSessionLclPrtlAddrType.  If the value is a
DNS name, then the name is resolved once, during the initial
session instantiation."
 ::= {ifcpSessionAttributesEntry 4}

ifcpSessionLclPrtlTcpPort       OBJECT-TYPE
SYNTAX          InetPortNumber
MAX-ACCESS      read-only
STATUS          current
DESCRIPTION
"This is the TCP port number that is being used for the iFCP
local portal in this session.  This is normally an ephemeral
port number selected by the gateway.  The value may be 0
during an initial setup period."
 ::= {ifcpSessionAttributesEntry 5}

ifcpSessionLclNpWwun           OBJECT-TYPE
SYNTAX          FcNameIdOrZero
MAX-ACCESS      read-only
STATUS          current
DESCRIPTION
"World Wide Unique Name of the local N Port.  For an unbound
session, this variable will be a zero-length string."
REFERENCE       "RFC 4172, iFCP Protocol Specification"
DEFVAL         { "" }
 ::= {ifcpSessionAttributesEntry 6}

ifcpSessionLclNpFcid           OBJECT-TYPE
SYNTAX          FcAddressIdOrZero
MAX-ACCESS      read-only
STATUS          current

```

DESCRIPTION
 "Fibre Channel Identifier of the local N Port. For an unbound session, this variable will be a zero-length string."
 REFERENCE "RFC 4172, iFCP Protocol Specification"
 ::= {ifcpSessionAttributesEntry 7}

ifcpSessionRmtNpWwun OBJECT-TYPE
 SYNTAX FcNameIdOrZero
 MAX-ACCESS read-only
 STATUS current
 DESCRIPTION
 "World Wide Unique Name of the remote N Port. For an unbound session, this variable will be a zero-length string."
 REFERENCE "RFC 4172, iFCP Protocol Specification"
 DEFVAL { "" }
 ::= {ifcpSessionAttributesEntry 8}

ifcpSessionRmtPrtlIfAddrType OBJECT-TYPE
 SYNTAX InetAddressType
 MAX-ACCESS read-only
 STATUS current
 DESCRIPTION
 "The type of address in ifcpSessionRmtPrtlIfAddr."
 ::= {ifcpSessionAttributesEntry 9}

ifcpSessionRmtPrtlIfAddr OBJECT-TYPE
 SYNTAX InetAddress
 MAX-ACCESS read-only
 STATUS current
 DESCRIPTION
 "This is the remote gateway IP address being used for the portal on the remote iFCP gateway. The address type is defined in ifcpSessionRmtPrtlIfAddrType. If the value is a DNS name, then the name is resolved once, during the initial session instantiation."
 ::= {ifcpSessionAttributesEntry 10}

ifcpSessionRmtPrtlTcpPort OBJECT-TYPE
 SYNTAX InetPortNumber
 MAX-ACCESS read-only
 STATUS current
 DESCRIPTION
 "This is the TCP port number being used for the portal on the remote iFCP gateway. Generally, this will be the iFCP canonical port. The value may be 0 during an initial setup period."
 DEFVAL { 3420 }
 ::= {ifcpSessionAttributesEntry 11}

```

ifcpSessionRmtNpFcid          OBJECT-TYPE
    SYNTAX                     FcAddressIdOrZero
    MAX-ACCESS                 read-only
    STATUS                     current
    DESCRIPTION
        "Fibre Channel Identifier of the remote N Port.  For an
        unbound session, this variable will be a zero-length string."
    REFERENCE                  "RFC 4172, iFCP Protocol Specification"
    ::= {ifcpSessionAttributesEntry 12}

ifcpSessionRmtNpFcidAlias     OBJECT-TYPE
    SYNTAX                     FcAddressIdOrZero
    MAX-ACCESS                 read-only
    STATUS                     current
    DESCRIPTION
        "Fibre Channel Identifier Alias assigned by the local gateway
        for the remote N Port.  For an unbound session, this variable
        will be a zero-length string."
    REFERENCE                  "RFC 4172, iFCP Protocol Specification"
    ::= {ifcpSessionAttributesEntry 13}

ifcpSessionIpTOV             OBJECT-TYPE
    SYNTAX                     IfcpIpTOVOrZero
    UNITS                      "seconds"
    MAX-ACCESS                 read-write
    STATUS                     current
    DESCRIPTION
        "The IP_TOV being used for this iFCP session.  This is the
        maximum propagation delay that will be used for the iFCP
        session.  The value can be changed on a per-session basis
        and initially defaults to ifcpLclGtwyInstDefaultIpTOV for
        the local gateway instance.  The valid range is 0 - 3600
        seconds.  A value of 0 implies fibre channel frame lifetime
        limits will not be enforced."
    REFERENCE                  "RFC 4172, iFCP Protocol Specification"
    ::= {ifcpSessionAttributesEntry 14}

ifcpSessionLclLTIntvl       OBJECT-TYPE
    SYNTAX                     IfcpLTIorZero
    UNITS                      "seconds"
    MAX-ACCESS                 read-only
    STATUS                     current
    DESCRIPTION
        "The Liveness Test Interval (LTI) used for this iFCP session.
        The value can be changed on a per-session basis and initially
        defaults to ifcpLclGtwyInstDefaultLTInterval for the local

```


gateway instance. The valid range is 0 - 65535 seconds. A value of 0 implies that the gateway will not originate Liveness Test messages for the session."

REFERENCE "RFC 4172, iFCP Protocol Specification"
 ::= {ifcpSessionAttributesEntry 15}

ifcpSessionRmtLTIntvl OBJECT-TYPE
 SYNTAX IfcpLTIorZero
 UNITS "seconds"
 MAX-ACCESS read-only
 STATUS current
 DESCRIPTION

"The Liveness Test Interval (LTI) as requested by the remote gateway instance to use for this iFCP session. This value may change over the life of the session. The valid range is 0 - 65535 seconds. A value of 0 implies that the remote gateway has not been requested to originate Liveness Test messages for the session."

REFERENCE "RFC 4172, iFCP Protocol Specification"
 ::= {ifcpSessionAttributesEntry 16}

ifcpSessionBound OBJECT-TYPE
 SYNTAX TruthValue
 MAX-ACCESS read-only
 STATUS current
 DESCRIPTION

"This value indicates whether this session is bound to a specific local and remote N Port. Sessions by default are unbound and ready for future assignment to a local and remote N Port."

REFERENCE "RFC 4172, iFCP Protocol Specification"
 ::= {ifcpSessionAttributesEntry 17}

ifcpSessionStorageType OBJECT-TYPE
 SYNTAX StorageType
 MAX-ACCESS read-only
 STATUS current
 DESCRIPTION

"The storage type for this row. Parameter values defined for a session are usually non-volatile, but may be volatile or permanent in some configurations. If permanent, then ifcpSessionIpTOV must have read-write access."

DEFVAL { nonVolatile }
 ::= {ifcpSessionAttributesEntry 18}

--

-- Local iFCP Gateway Instance Session Statistics =====

--

```

ifcpSessionStatsTable          OBJECT-TYPE
  SYNTAX                       SEQUENCE OF
                                IfcpSessionStatsEntry
  MAX-ACCESS                   not-accessible
  STATUS                       current
  DESCRIPTION
    "This table provides statistics on an iFCP session."
    ::= {ifcpNportSessionInfo 2}

ifcpSessionStatsEntry         OBJECT-TYPE
  SYNTAX                       IfcpSessionStatsEntry
  MAX-ACCESS                   not-accessible
  STATUS                       current
  DESCRIPTION
    "Provides iFCP-specific statistics per session."
  AUGMENTS {ifcpSessionAttributesEntry}
  ::= {ifcpSessionStatsTable 1}

IfcpSessionStatsEntry ::= SEQUENCE {
  ifcpSessionState             IfcpSessionStates,
  ifcpSessionDuration          Unsigned32,
  ifcpSessionTxOctets          ZeroBasedCounter64,
  ifcpSessionRxOctets          ZeroBasedCounter64,
  ifcpSessionTxFrames          ZeroBasedCounter64,
  ifcpSessionRxFrames          ZeroBasedCounter64,
  ifcpSessionStaleFrames       ZeroBasedCounter64,
  ifcpSessionHeaderCRCErrors   ZeroBasedCounter64,
  ifcpSessionFcPayloadCRCErrors ZeroBasedCounter64,
  ifcpSessionOtherErrors       ZeroBasedCounter64,
  ifcpSessionDiscontinuityTime TimeStamp
}

ifcpSessionState              OBJECT-TYPE
  SYNTAX                       IfcpSessionStates
  MAX-ACCESS                   read-only
  STATUS                       current
  DESCRIPTION
    "The current session operating state."
    ::= {ifcpSessionStatsEntry 1}

ifcpSessionDuration           OBJECT-TYPE
  SYNTAX                       Unsigned32 (0..4294967295)
  MAX-ACCESS                   read-only
  STATUS                       current
  DESCRIPTION
    "This indicates, in seconds, how long the iFCP session has
    been in an open or open-pending state.  When a session is
    down, the value is reset to 0."

```

```

 ::= {ifcpSessionStatsEntry 2}

ifcpSessionTxOctets          OBJECT-TYPE
    SYNTAX                   ZeroBasedCounter64
    MAX-ACCESS               read-only
    STATUS                   current
    DESCRIPTION
        "The total number of octets transmitted by the iFCP gateway
        for this session. Discontinuities in the value of this
        counter can occur at reinitialization of the management
        system, and at other times as indicated by the value of
        ifcpSessionDiscontinuityTime."
    ::= {ifcpSessionStatsEntry 3}

ifcpSessionRxOctets         OBJECT-TYPE
    SYNTAX                   ZeroBasedCounter64
    MAX-ACCESS               read-only
    STATUS                   current
    DESCRIPTION
        "The total number of octets received by the iFCP gateway for
        this session. Discontinuities in the value of this
        counter can occur at reinitialization of the management
        system, and at other times as indicated by the value of
        ifcpSessionDiscontinuityTime."
    ::= {ifcpSessionStatsEntry 4}

ifcpSessionTxFrames         OBJECT-TYPE
    SYNTAX                   ZeroBasedCounter64
    MAX-ACCESS               read-only
    STATUS                   current
    DESCRIPTION
        "The total number of iFCP frames transmitted by the gateway
        for this session. Discontinuities in the value of this
        counter can occur at reinitialization of the management
        system, and at other times as indicated by the value of
        ifcpSessionDiscontinuityTime."
    ::= {ifcpSessionStatsEntry 5}

ifcpSessionRxFrames         OBJECT-TYPE
    SYNTAX                   ZeroBasedCounter64
    MAX-ACCESS               read-only
    STATUS                   current
    DESCRIPTION
        "The total number of iFCP frames received by the gateway
        for this session. Discontinuities in the value of this
        counter can occur at reinitialization of the management
        system, and at other times as indicated by the value of
        ifcpSessionDiscontinuityTime."

```

```
 ::= {ifcpSessionStatsEntry 6}

ifcpSessionStaleFrames          OBJECT-TYPE
    SYNTAX                      ZeroBasedCounter64
    MAX-ACCESS                  read-only
    STATUS                      current
    DESCRIPTION
        "The total number of received iFCP frames that were stale and
        discarded by the gateway for this session. Discontinuities
        in the value of this counter can occur at reinitialization
        of the management system, and at other times as indicated by
        the value of ifcpSessionDiscontinuityTime."
    ::= {ifcpSessionStatsEntry 7}

ifcpSessionHeaderCRCErrors      OBJECT-TYPE
    SYNTAX                      ZeroBasedCounter64
    MAX-ACCESS                  read-only
    STATUS                      current
    DESCRIPTION
        "The total number of Cyclic Redundancy Check (CRC) errors that
        occurred in the frame header, detected by the gateway for this
        session. Usually, a single Header CRC error is sufficient to
        terminate an iFCP session. Discontinuities in the value of this
        counter can occur at reinitialization of the management system,
        and at other times as indicated by the value of
        ifcpSessionDiscontinuityTime."
    ::= {ifcpSessionStatsEntry 8}

ifcpSessionFcpPayloadCRCErrors  OBJECT-TYPE
    SYNTAX                      ZeroBasedCounter64
    MAX-ACCESS                  read-only
    STATUS                      current
    DESCRIPTION
        "The total number of CRC errors that occurred in the Fibre
        Channel frame payload, detected by the gateway for this
        session. Discontinuities in the value of this counter can
        occur at reinitialization of the management system, and
        at other times as indicated by the value of
        ifcpSessionDiscontinuityTime."
    ::= {ifcpSessionStatsEntry 9}

ifcpSessionOtherErrors          OBJECT-TYPE
    SYNTAX                      ZeroBasedCounter64
    MAX-ACCESS                  read-only
    STATUS                      current
    DESCRIPTION
        "The total number of errors, other than errors explicitly
        measured, detected by the gateway for this session."
```

Discontinuities in the value of this counter can occur at reinitialization of the management system, and at other times as indicated by the value of ifcpSessionDiscontinuityTime."

::= {ifcpSessionStatsEntry 10}

```
ifcpSessionDiscontinuityTime      OBJECT-TYPE
    SYNTAX                          TimeStamp
    MAX-ACCESS                       read-only
    STATUS                            current
    DESCRIPTION
```

"The value of sysUpTime on the most recent occasion at which any one (or more) of the ifcpSessionStatsTable counters suffered a discontinuity. The relevant counters are the specific Counter64-based instances associated with the ifcpSessionStatsTable: ifcpSessionTxOctets, ifcpSessionRxOctets, ifcpSessionTxFrames, ifcpSessionRxFrames, ifcpSessionStaleFrames, ifcpSessionHeaderCRCErrors, ifcpSessionFcPayloadCRCErrors, and ifcpSessionOtherErrors. If no such discontinuities have occurred since the last reinitialization of the local management subsystem, then this object contains a zero value."

::= {ifcpSessionStatsEntry 11}

```
--
-- Low-Capacity Statistics
--
```

```
ifcpSessionLcStatsTable          OBJECT-TYPE
    SYNTAX                          SEQUENCE OF
                                     IfcpSessionLcStatsEntry
    MAX-ACCESS                       not-accessible
    STATUS                            current
    DESCRIPTION
```

"This table provides low-capacity statistics for an iFCP session. These are provided for backward compatibility with systems that do not support Counter64-based objects. At 1-Gbps rates, a Counter32-based object can wrap as often as every 34 seconds. Counter32-based objects can be sufficient for many situations. However, when possible, it is recommended to use the high-capacity statistics in ifcpSessionStatsTable based on Counter64 objects."

::= {ifcpNportSessionInfo 3}

```
ifcpSessionLcStatsEntry          OBJECT-TYPE
    SYNTAX                          IfcpSessionLcStatsEntry
    MAX-ACCESS                       not-accessible
    STATUS                            current
```

```

DESCRIPTION
"Provides iFCP-specific statistics per session."
AUGMENTS {ifcpSessionAttributesEntry}
 ::= {ifcpSessionLcStatsTable 1}

IfcpSessionLcStatsEntry ::= SEQUENCE {
    ifcpSessionLcTxOctets          ZeroBasedCounter32,
    ifcpSessionLcRxOctets          ZeroBasedCounter32,
    ifcpSessionLcTxFrames          ZeroBasedCounter32,
    ifcpSessionLcRxFrames          ZeroBasedCounter32,
    ifcpSessionLcStaleFrames       ZeroBasedCounter32,
    ifcpSessionLcHeaderCRCErrors   ZeroBasedCounter32,
    ifcpSessionLcFcPayloadCRCErrors ZeroBasedCounter32,
    ifcpSessionLcOtherErrors       ZeroBasedCounter32
}

ifcpSessionLcTxOctets          OBJECT-TYPE
    SYNTAX                      ZeroBasedCounter32
    MAX-ACCESS                   read-only
    STATUS                        current
    DESCRIPTION
"The total number of octets transmitted by the iFCP gateway
for this session."
    ::= {ifcpSessionLcStatsEntry 1}

ifcpSessionLcRxOctets          OBJECT-TYPE
    SYNTAX                      ZeroBasedCounter32
    MAX-ACCESS                   read-only
    STATUS                        current
    DESCRIPTION
"The total number of octets received by the iFCP gateway for
this session."
    ::= {ifcpSessionLcStatsEntry 2}

ifcpSessionLcTxFrames          OBJECT-TYPE
    SYNTAX                      ZeroBasedCounter32
    MAX-ACCESS                   read-only
    STATUS                        current
    DESCRIPTION
"The total number of iFCP frames transmitted by the gateway
for this session."
    ::= {ifcpSessionLcStatsEntry 3}

ifcpSessionLcRxFrames          OBJECT-TYPE
    SYNTAX                      ZeroBasedCounter32
    MAX-ACCESS                   read-only
    STATUS                        current

```

DESCRIPTION

"The total number of iFCP frames received by the gateway for this session."

::= {ifcpSessionLcStatsEntry 4}

ifcpSessionLcStaleFrames OBJECT-TYPE
SYNTAX ZeroBasedCounter32
MAX-ACCESS read-only
STATUS current

DESCRIPTION

"The total number of received iFCP frames that were stale and discarded by the gateway for this session."

::= {ifcpSessionLcStatsEntry 5}

ifcpSessionLcHeaderCRCErrors OBJECT-TYPE
SYNTAX ZeroBasedCounter32
MAX-ACCESS read-only
STATUS current

DESCRIPTION

"The total number of CRC errors that occurred in the frame header, detected by the gateway for this session. Usually, a single Header CRC error is sufficient to terminate an iFCP session."

::= {ifcpSessionLcStatsEntry 6}

ifcpSessionLcFcPayloadCRCErrors OBJECT-TYPE
SYNTAX ZeroBasedCounter32
MAX-ACCESS read-only
STATUS current

DESCRIPTION

"The total number of CRC errors that occurred in the Fibre Channel frame payload, detected by the gateway for this session."

::= {ifcpSessionLcStatsEntry 7}

ifcpSessionLcOtherErrors OBJECT-TYPE
SYNTAX ZeroBasedCounter32
MAX-ACCESS read-only
STATUS current

DESCRIPTION

"The total number of errors, other than errors explicitly measured, detected by the gateway for this session."

::= {ifcpSessionLcStatsEntry 8}

```

ifcpCompliances
    OBJECT IDENTIFIER ::= {ifcpGatewayConformance 1}

ifcpGatewayCompliance MODULE-COMPLIANCE
    STATUS deprecated
    DESCRIPTION
    "This MODULE-COMPLIANCE has been deprecated because address
    translation mode has been deprecated in the iFCP standard. It has
    the implementation requirements for iFCP MIB module compliance."
    MODULE -- this module
    MANDATORY-GROUPS {
        ifcpLclGatewayGroup,
        ifcpLclGatewaySessionGroup,
        ifcpLclGatewaySessionStatsGroup,
        ifcpLclGatewaySessionLcStatsGroup
    }

    OBJECT ifcpSessionLclPrtlAddrType
    SYNTAX InetAddressType { ipv4(1), ipv6(2) }
    DESCRIPTION
        "Support is only required for global IPv4
        and IPv6 address types."
    OBJECT ifcpSessionRmtPrtlIfAddrType
    SYNTAX InetAddressType { ipv4(1), ipv6(2) }
    DESCRIPTION
        "Support is only required for global IPv4
        and IPv6 address types."

    OBJECT ifcpLclGtwyInstAddrTransMode
    SYNTAX IfcpAddressMode {addressTransparent(1),
        addressTranslation(2)}
    DESCRIPTION
        "This object must support addressTransparent(1) and
        addressTranslation(2)."
```

::= {ifcpCompliances 1}

```

ifcpGatewayComplianceNoTranslation MODULE-COMPLIANCE
    STATUS current
    DESCRIPTION
    "Implementation requirements for iFCP MIB module compliance.
    Address translation mode has been deprecated in the iFCP standard."
    REFERENCE "RFC 4172, iFCP Protocol Specification;
        RFC 6172, Deprecation of iFCP Address
        Translation Mode"
    MODULE -- this module
```



```

MANDATORY-GROUPS {
    ifcpLclGatewayGroup,
    ifcpLclGatewaySessionGroupNoTranslation,
    ifcpLclGatewaySessionStatsGroup,
    ifcpLclGatewaySessionLcStatsGroup
}

OBJECT      ifcpSessionLclPrtlAddrType
SYNTAX      InetAddressType { ipv4(1), ipv6(2) }
DESCRIPTION
    "Support is only required for global IPv4
    and IPv6 address types."

OBJECT      ifcpSessionRmtPrtlIfAddrType
SYNTAX      InetAddressType { ipv4(1), ipv6(2) }
DESCRIPTION
    "Support is only required for global IPv4
    and IPv6 address types."

OBJECT      ifcpLclGtwyInstAddrTransMode
SYNTAX      IfcpAddressMode {addressTransparent(1)}
DESCRIPTION
    "Support is only required for addressTransparent(1)."
```

::= {ifcpCompliances 2}

ifcpGroups OBJECT IDENTIFIER ::= {ifcpGatewayConformance 2}

ifcpLclGatewayGroup OBJECT-GROUP

```

OBJECTS {
    ifcpLclGtwyInstPhyIndex,
    ifcpLclGtwyInstVersionMin,
    ifcpLclGtwyInstVersionMax,
    ifcpLclGtwyInstAddrTransMode,
    ifcpLclGtwyInstFcBrdcstSupport,
    ifcpLclGtwyInstDefaultIpTOV,
    ifcpLclGtwyInstDefaultLTInterval,
    ifcpLclGtwyInstDescr,
    ifcpLclGtwyInstNumActiveSessions,
    ifcpLclGtwyInstStorageType
}
STATUS current
DESCRIPTION
    "iFCP local device info group. This group provides
    information about each gateway."
    ::= {ifcpGroups 1}
```

ifcpLclGatewaySessionGroup OBJECT-GROUP

```
OBJECTS {
  ifcpSessionLclPrtlIfIndex,
  ifcpSessionLclPrtlAddrType,
  ifcpSessionLclPrtlAddr,
  ifcpSessionLclPrtlTcpPort,
  ifcpSessionLclNpWwun,
  ifcpSessionLclNpFcid,
  ifcpSessionRmtNpWwun,
  ifcpSessionRmtPrtlIfAddrType,
  ifcpSessionRmtPrtlIfAddr,
  ifcpSessionRmtPrtlTcpPort,
  ifcpSessionRmtNpFcid,
  ifcpSessionRmtNpFcidAlias,
  ifcpSessionIpTOV,
  ifcpSessionLclLTIntvl,
  ifcpSessionRmtLTIntvl,
  ifcpSessionBound,
  ifcpSessionStorageType
}
```

STATUS deprecated

DESCRIPTION

"This OBJECT-GROUP has been deprecated because address translation mode has been deprecated in the iFCP standard. iFCP Session group. This group provides information about each iFCP session currently active between iFCP gateways."

::= {ifcpGroups 4}

ifcpLclGatewaySessionStatsGroup OBJECT-GROUP

```
OBJECTS {
  ifcpSessionState,
  ifcpSessionDuration,
  ifcpSessionTxOctets,
  ifcpSessionRxOctets,
  ifcpSessionTxFrames,
  ifcpSessionRxFrames,
  ifcpSessionStaleFrames,
  ifcpSessionHeaderCRCErrors,
  ifcpSessionFcPayloadCRCErrors,
  ifcpSessionOtherErrors,
  ifcpSessionDiscontinuityTime
}
```

STATUS current

DESCRIPTION

"iFCP Session Statistics group. This group provides statistics with 64-bit counters for each iFCP session currently active between iFCP gateways. This group is only required for agents that can support Counter64-based data types."

::= {ifcpGroups 5}

ifcpLclGatewaySessionLcStatsGroup OBJECT-GROUP

```
OBJECTS {
  ifcpSessionLcTxOctets,
  ifcpSessionLcRxOctets,
  ifcpSessionLcTxFrames,
  ifcpSessionLcRxFrames,
  ifcpSessionLcStaleFrames,
  ifcpSessionLcHeaderCRCErrors,
  ifcpSessionLcFcPayloadCRCErrors,
  ifcpSessionLcOtherErrors
}
```

STATUS current

DESCRIPTION

"iFCP Session Low-Capacity Statistics group. This group provides statistics with low-capacity 32-bit counters for each iFCP session currently active between iFCP gateways. This group is only required for agents that do not support Counter64-based data types, or that need to support SNMPv1 applications."

::= {ifcpGroups 6}

ifcpLclGatewaySessionGroupNoTranslation OBJECT-GROUP

```
OBJECTS {
  ifcpSessionLclPrtlIfIndex,
  ifcpSessionLclPrtlAddrType,
  ifcpSessionLclPrtlAddr,
  ifcpSessionLclPrtlTcpPort,
  ifcpSessionLclNpWwun,
  ifcpSessionLclNpFcid,
  ifcpSessionRmtNpWwun,
  ifcpSessionRmtPrtlIfAddrType,
  ifcpSessionRmtPrtlIfAddr,
  ifcpSessionRmtPrtlTcpPort,
  ifcpSessionRmtNpFcid,
  ifcpSessionIpTOV,
  ifcpSessionLclLTIntvl,
  ifcpSessionRmtLTIntvl,
  ifcpSessionBound,
  ifcpSessionStorageType
}
```

```
STATUS current
DESCRIPTION
"iFCP Session group. This group provides information
about each iFCP session currently active between iFCP
gateways."
 ::= {ifcpGroups 7}
```

END

6. Security Considerations

There are a number of management objects defined in this MIB module with a MAX-ACCESS clause of read-write and/or read-create. Such objects may be considered sensitive or vulnerable in some network environments. The support for SET operations in a non-secure environment without proper protection can have a negative effect on network operations.

Changing the following object values, with a MAX-ACCESS of read-write, may cause disruption in storage traffic:

```
ifcpLclGtwyInstAddrTransMode
ifcpLclGtwyInstFcBrdcstSupport
ifcpLclGtwyInstDefaultIpTOV
ifcpLclGtwyInstDefaultLTInterval
ifcpSessionIpTOV
```

Changing the following object value, with a MAX-ACCESS of read-write, may cause a user to lose track of the iFCP gateway:

```
ifcpLclGtwyInstDescr
```

Some of the readable objects in this MIB module (i.e., objects with a MAX-ACCESS other than not-accessible) may be considered sensitive or vulnerable in some network environments. It is thus important to control even GET and/or NOTIFY access to these objects and possibly to even encrypt the values of these objects when sending them over the network via SNMP.

The following object tables provide information about storage traffic sessions, and can indicate to a user who is communicating and exchanging storage data:

```
ifcpLclGtwyInstTable
ifcpSessionAttributesTable
```

SNMP versions prior to SNMPv3 did not include adequate security. Even if the network itself is secure (for example, by using IPsec), even then, there is no control as to who on the secure network is allowed to access and GET/SET (read/change/create/delete) the objects in this MIB module.

It is RECOMMENDED that implementers consider the security features as provided by the SNMPv3 framework (see [RFC3410], section 8), including full support for the SNMPv3 cryptographic mechanisms (for authentication and privacy).

Further, deployment of SNMP versions prior to SNMPv3 is NOT RECOMMENDED. Instead, it is RECOMMENDED to deploy SNMPv3 and to enable cryptographic security. It is then a customer/operator responsibility to ensure that the SNMP entity giving access to an instance of this MIB module is properly configured to give access to the objects only to those principals (users) that have legitimate rights to indeed GET or SET (change/create/delete) them.

7. IANA Considerations

The MIB module in this document uses the following IANA-assigned OBJECT IDENTIFIER value recorded in the SMI Numbers registry:

Descriptor	OBJECT IDENTIFIER value
-----	-----
ifcpMgmtMIB	{ transmission 230 }

8. References

8.1. Normative References

- [RFC2119] Bradner, S., "Key words for use in RFCs to Indicate Requirement Levels", BCP 14, RFC 2119, March 1997.
- [RFC2578] McCloghrie, K., Perkins, D., and J. Schoenwaelder, "Structure of Management Information Version 2 (SMIv2)", STD 58, RFC 2578, April 1999.
- [RFC2579] McCloghrie, K., Perkins, D., and J. Schoenwaelder, "Textual Conventions for SMIv2", STD 58, RFC 2579, April 1999.
- [RFC2580] McCloghrie, K., Perkins, D., and J. Schoenwaelder, "Conformance Statements for SMIv2", STD 58, RFC 2580, April 1999.

- [RFC2856] Bierman, A., McCloghrie, K., and R. Presuhn, "Textual Conventions for Additional High Capacity Data Types", RFC 2856, June 2000.
- [RFC2863] McCloghrie, K. and F. Kastenholz, "The Interfaces Group MIB", RFC 2863, June 2000.
- [RFC3411] Harrington, D., Presuhn, R., and B. Wijnen, "An Architecture for Describing Simple Network Management Protocol (SNMP) Management Frameworks", STD 62, RFC 3411, December 2002.
- [RFC4001] Daniele, M., Haberman, B., Routhier, S., and J. Schoenwaelder, "Textual Conventions for Internet Network Addresses", RFC 4001, February 2005.
- [RFC4044] McCloghrie, K., "Fibre Channel Management MIB", RFC 4044, May 2005.
- [RFC4133] Bierman, A. and K. McCloghrie, "Entity MIB (Version 3)", RFC 4133, August 2005.
- [RFC4172] Monia, C., Mullendore, R., Travostino, F., Jeong, W., and M. Edwards, "iFCP - A Protocol for Internet Fibre Channel Storage Networking", RFC 4172, September 2005.
- [RFC4369] Gibbons, K., Monia, C., Tseng, J., and F. Travostino, "Definitions of Managed Objects for Internet Fibre Channel Protocol (iFCP)", RFC 4369, January 2006.
- [RFC4502] Waldbusser, S., "Remote Network Monitoring Management Information Base Version 2", RFC 4502, May 2006.
- [RFC6172] Black, D. and D. Peterson, "Deprecation of the Internet Fibre Channel Protocol (iFCP) Address Translation Mode", RFC 6172, March 2011.

8.2. Informative References

- [RFC3410] Case, J., Mundy, R., Partain, D., and B. Stewart, "Introduction and Applicability Statements for Internet Standard Management Framework", RFC 3410, December 2002.

9. Acknowledgments

Credit goes to the authors of [RFC4369] (listed below) for preparing the first version of the iFCP MIB module. I wish to thank David Black, Tom Talpey, and David Harrington for their significant inputs on this update.

Authors of RFC 4369:

Kevin Gibbons
2Wire Corporation
1704 Automation Parkway
San Jose, CA 95131 USA
Phone: (408)895-1387
EMail: kgibbons@yahoo.com

Charles Monia
Consultant
7553 Morevern Circle
San Jose, CA 95135 USA
EMail: charles_monia@yahoo.com

Josh Tseng
Riverbed Technology
501 2nd Street, Suite 410
San Francisco, CA 94107 USA
Phone: (650)274-2109
EMail: joshtseng@yahoo.com

Franco Travostino
eBay Inc.
2145 Hamilton Avenue
San Jose, CA 95125
EMail: travos@ieee.org

Author's Address

Prakash Venkatesen (editor)
HCL Technologies Ltd.
50-53, Greams Road,
Chennai - 600006
India
EMail: prakashvn@hcl.com